

IPM 
BATH FITTINGS

ABOUT US:

OUR PHILOSOPHY

Established in 1966 with 50 years of Experience and still counting, We at IPM, believe that ultra modern technological setup is the fundamental to world class products. We continuously strive to create value and exceed customers expectations in quality, delivery and cost effectiveness through continuous product innovation and cutting edge technologies. In line with our mission to deliver superlative Kitchen and Bathroom Faucets, IPM established state-of-the-art manufacturing units spread in the heart of Delhi & NCR region.

WHY US

In addition to focus on product quality, aesthetics and functionality, It is a set of salient features that have made us a preferred supplier to clients. We are known for our:

- Unflinching commitment
- Fair business practices
- Strong network of dealers in all over India
- Competitive prices
- Range of latest designs & new products
- Customization / Flexibility offered to buyers
- Strong market positioning
- Timely delivery
- Endeavor to satisfy customers, every time.

BRAND VALUES

- Passion for Technology
- Taking care of our people
- Excellent customer service
- Building strong relationships
- Entrepreneurial spirit
- Reliability
- Integrity



འབྲུག་གི་གནས་ཚུན་ལས་ཁང།
BHUTAN STANDARDS BUREAU
 The National Standards Body of Bhutan



Certificate No: **CPC (68)/2018/0218**

Certificate of Product Conformity

This is to certify that the quality of the following product(s) has been approved.

BRAND NAME	: IPM
PRODUCT CATEGORY	: Chrome plated bathroom fittings (All ranges specified in the catalogue)
PRODUCT STANDARDS	: IS 1264: 1989 (Brass)
MANUFACTURER	: Shiv Enterprises 459, Patparganj Industrial Area, New Delhi-110092, India.

This certificate is valid from **01 October 2018** till **30 September 2020**


Head
 (Certification Division)


Director General
 (Bhutan Standards Bureau)

Website: <http://www.bsb.gov.bt>

Certificate of Registration

Awarded to

SHIV ENTERPRISES
 459, PATPARGANJ INDUSTRIAL AREA, DELHI -110092, INDIA

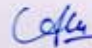
It is Certified that Quality Management System of
 Organization has been audited and found to be in accordance
 with the requirements of


ISO 9001:2015


For the Scope of activities described below


MANUFACTURERS OF C.P. BATHROOM FITTINGS

Certificate No :	17DQAV77	
Initial Registration Date :	15-05-2017	Issuance Date : 15-05-2017
Date of Expiry* :	14-05-2020	
1st Surve. Due :	15-04-2018	2nd Surve. Due : 15-04-2019


Director







ROHS Certification Pvt. Ltd.
Member of: State Accreditation Council (SAC), Member of International Accreditation Forum (IAF)
 10, Middle Park, New Delhi - 110016 India. Tel: 011-26102111. Email: info@rohs-certification.com

QUALITY



SPECTRO ANALYSIS FOR ELEMENTAL COMPOSITION OF BRASS

A regular SPECTRO Analysis of the Raw material used for casting is done in order to maintain and meet the International Standards of Brass Elemental composition Which results In better Machining, Super-Finish and more importantly DEFECT FREE CASTING.

To Ensure the quality of brass at IPM, taps are chosen at random from the Casting department and are Spectro Analysed Again to ensure that the desired Elemental Brass Composition is achieved.



AIR AND WATER TESTING MACHINES FOR LEAKAGE DETECTION.

Everything at IPM comes with a seal of exceptional quality. All our products' components, ease of operation and perfect looks have to withstand numerous endurance tests and pass with flying colors before it leaves the premises.

Each and every product goes through Air and Water testing machines to detect any leakage from the taps which are tested from "0.5 to 5.0" Bar Pressure. This makes us super confident about our products Performance, working and durability taking the customer's satisfaction to a whole new level.



ITALIAN CERAMIC DISC FOR LONGER LIFE

All quarter turn ranges are fitted with Italian technology ceramic discs made of alumina known to be the hardest material after diamond.



INTERNATIONAL STANDARD, FOUR LAYER COATING FOR LONG LASTING SHEEN

The nickel and chromium coating on our faucets is in accordance to british standards service conditions no. 2 & 3 defined for kitchen / bathroom fixtures.



EUROPEAN CARTRIDGES FOR SUPERIOR QUALITY & DURABLE PERFORMANCE

All single lever ranges are fitted with European cartridges making them at par with international brands in terms of quality and performance.



GERMAN AERATORS FOR PERFECT FOAM FLOW

Foam flow faucets in all ranges are fitted with honeycomb aerators that mix air with water to form a stream of aerated water (foam flow) which does not splash and spill

TABLE OF CONTENTS

CUBE-PRIMA

08

ALIVA

24

CUBE-F

40

FUZONE

58

FLORA

76



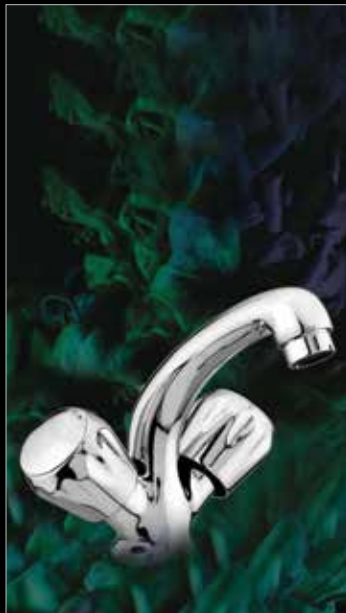
REGENCY

94



PREMIUM

101



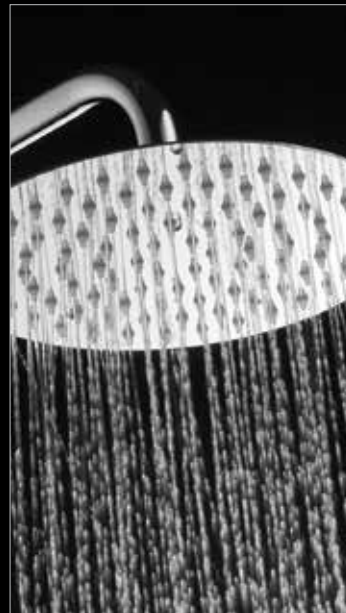
JP

110



ALLIED

128



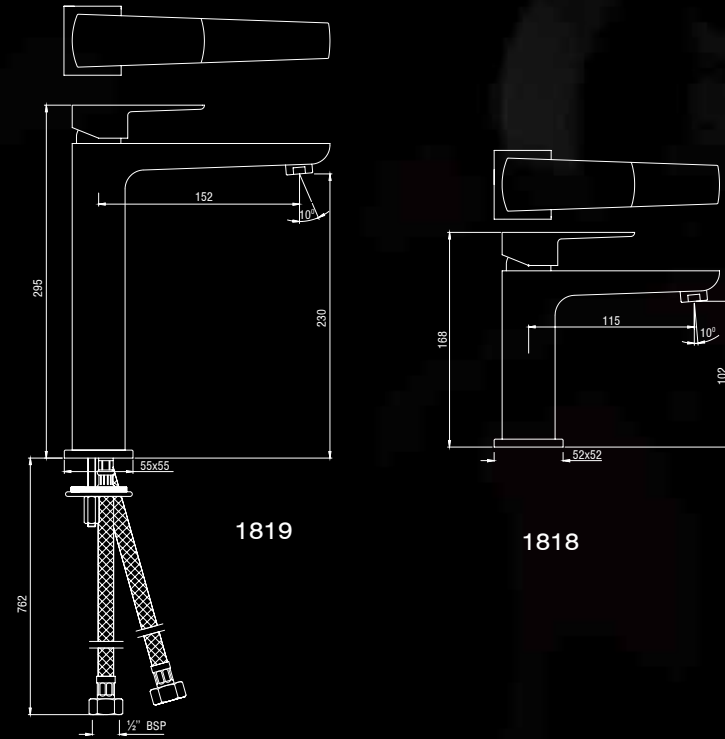
SQUARE
BATH ACCESSORIES 141

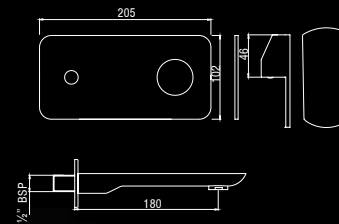
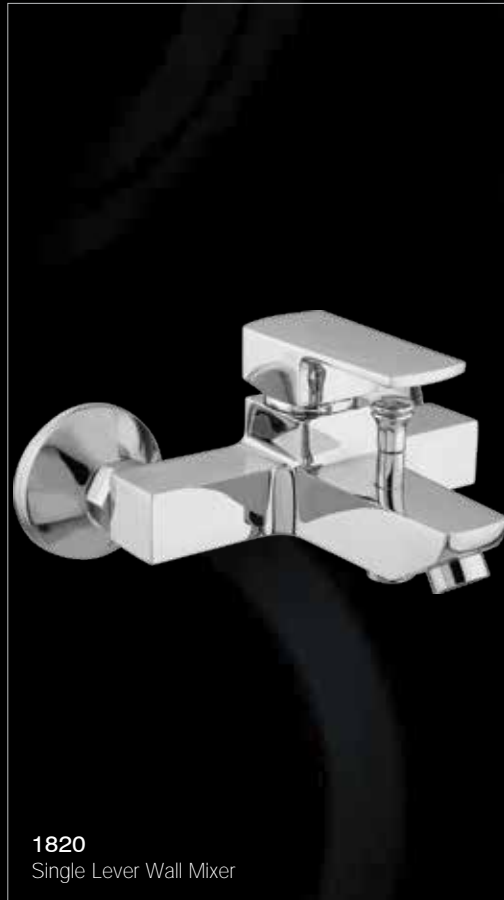




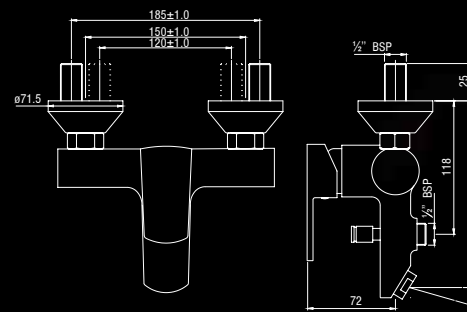
CUBE-PRIMA
COLLECTION



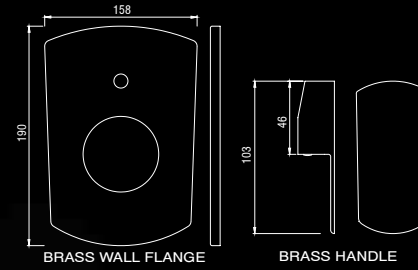




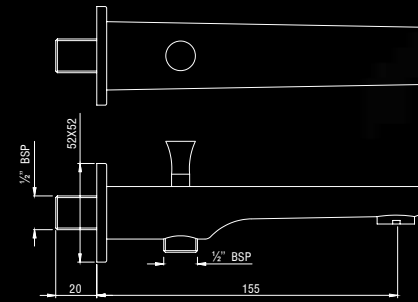
1828



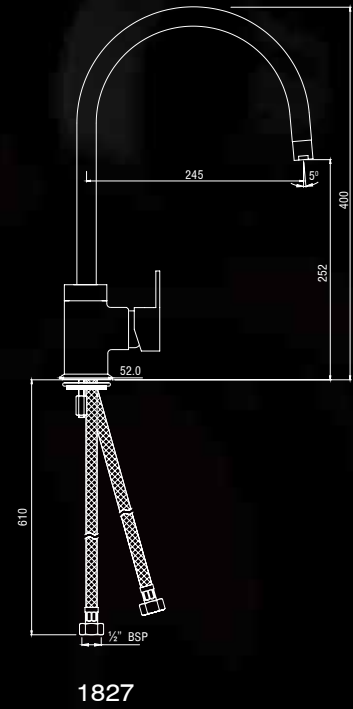
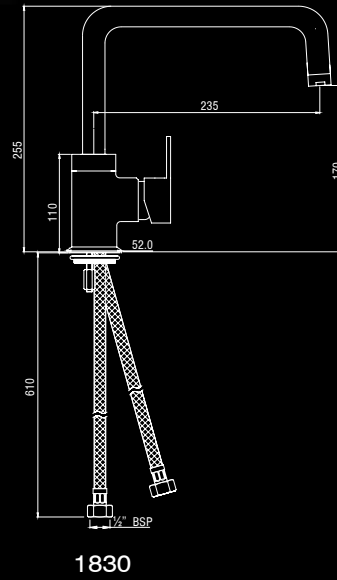
1820



1823



1822

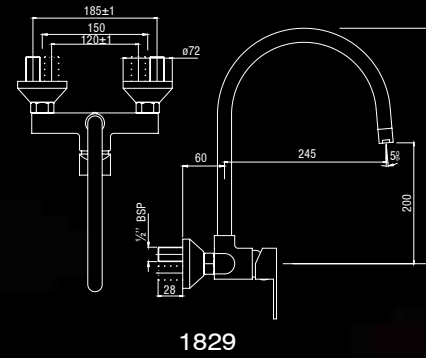




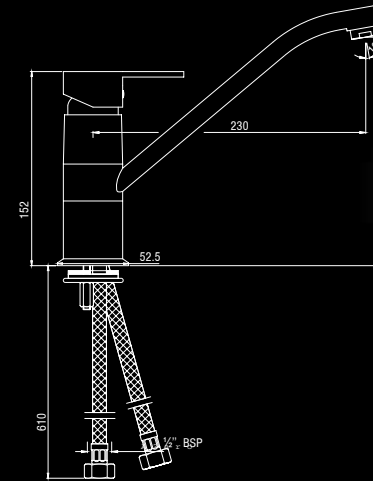
1829
Single Lever Sink Mixer
(Wall Mounted)



1825
Single Lever Sink Mixer Tall
(Table Mounted)



1829



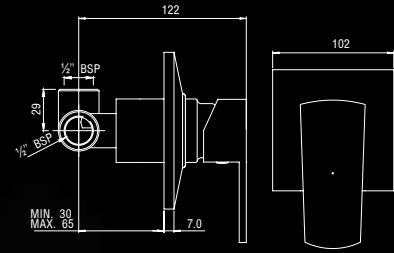
1825



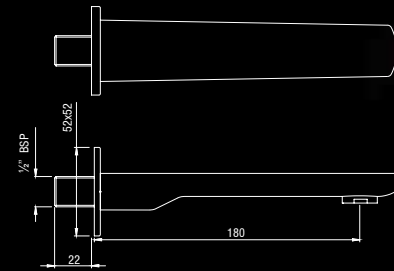
1831
Single Lever Concealed Deusch/Shower Mixer



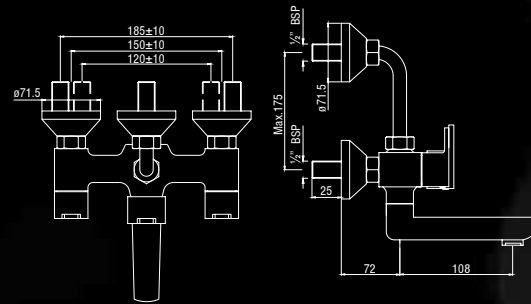
1821
Bath Tub Spout



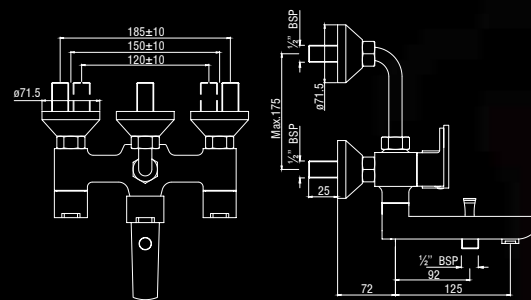
1831



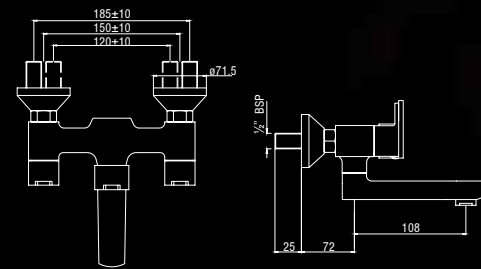
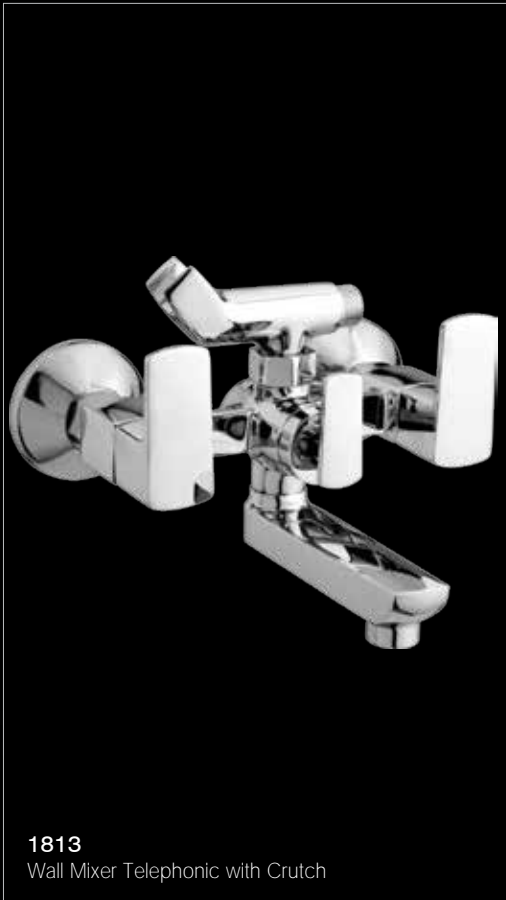
1821



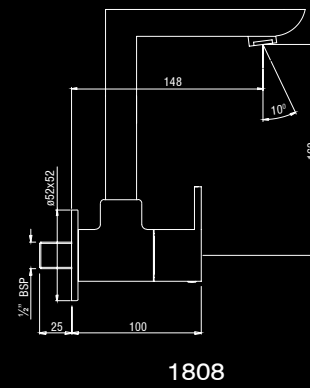
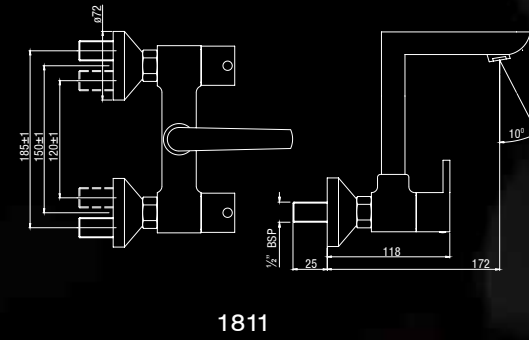
1814

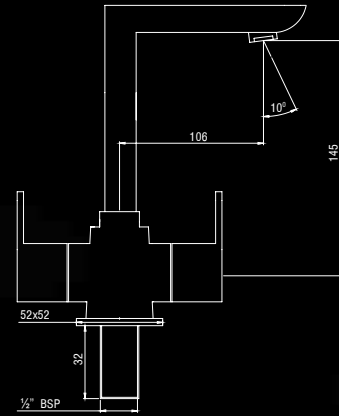


1816

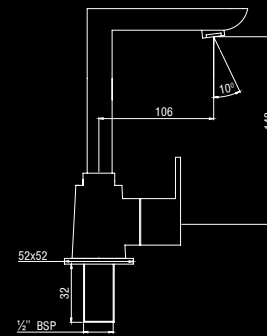


1817

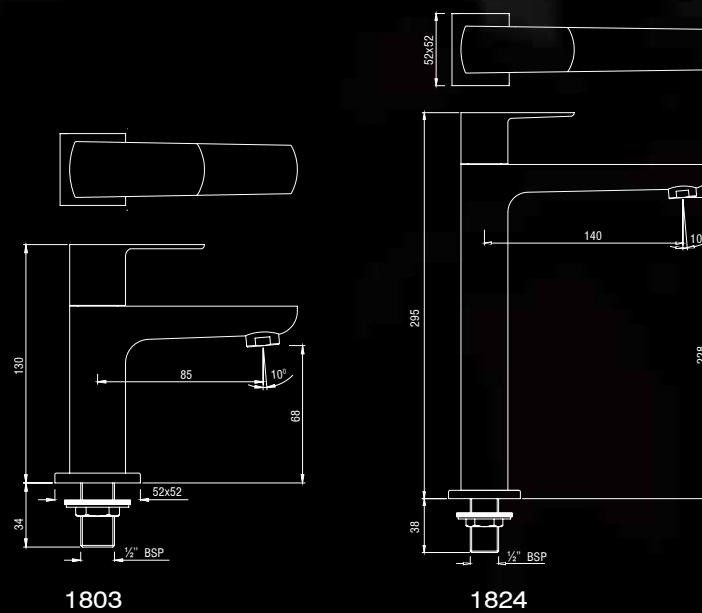


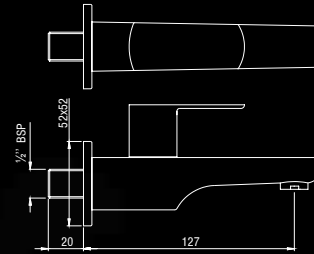


1812

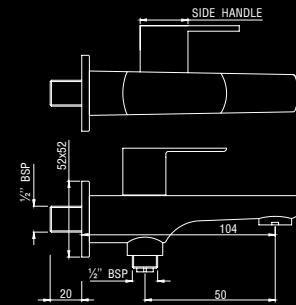


1807

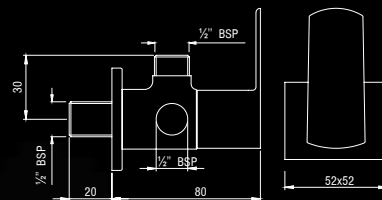




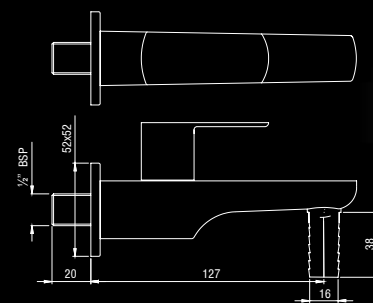
1801



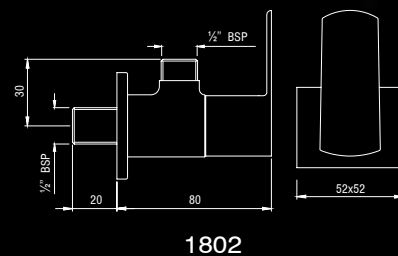
1805



1806

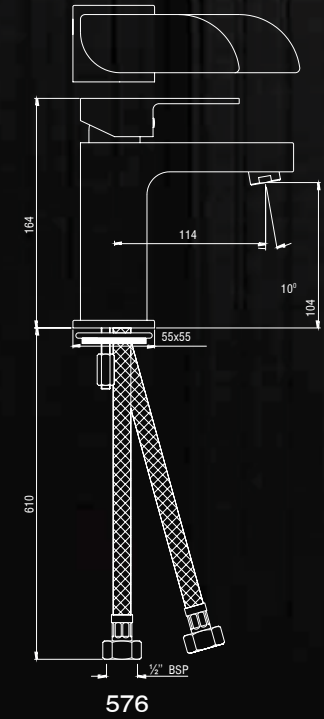
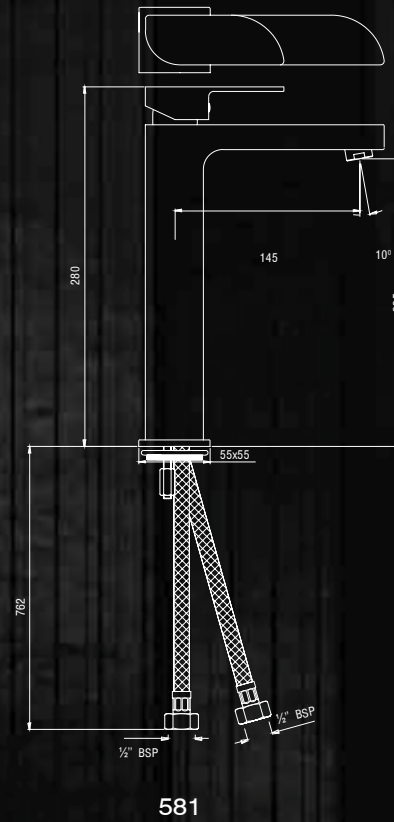


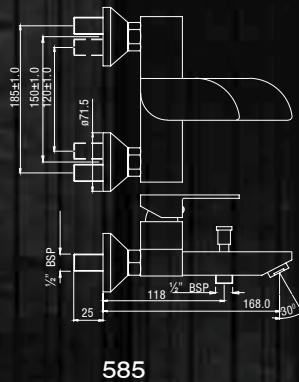
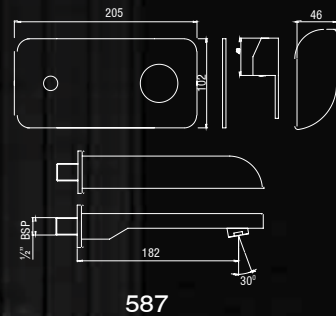
1804

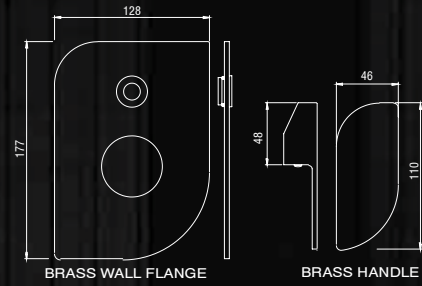


ALIVA
COLLECTION

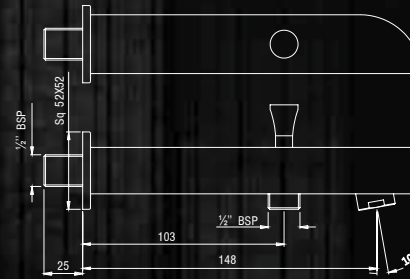




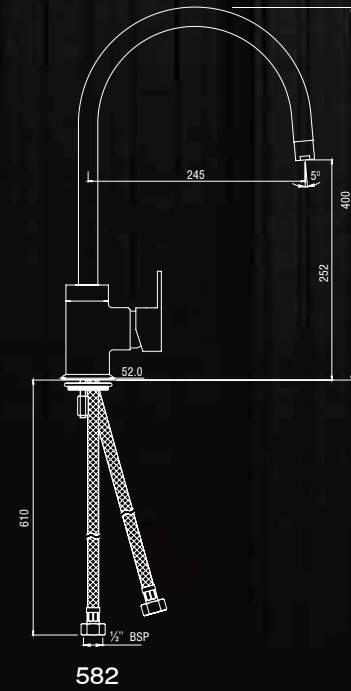
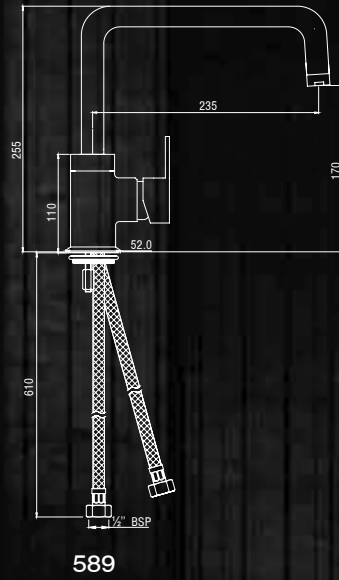




577



579

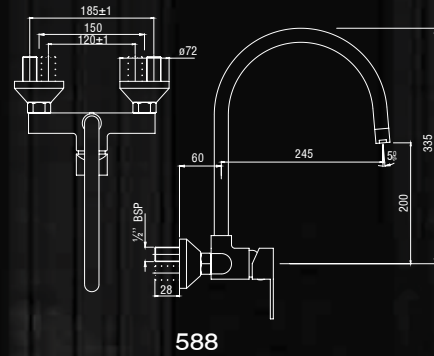




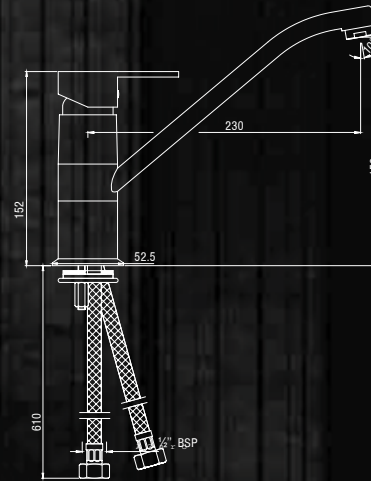
588
Single Lever Sink Mixer
(Wall Mounted)



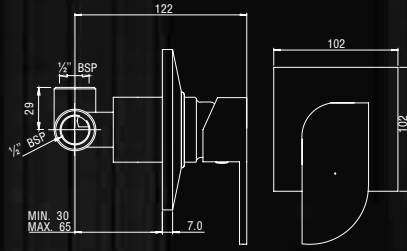
583
Single Lever Sink Mixer Tall
(Table Mounted)



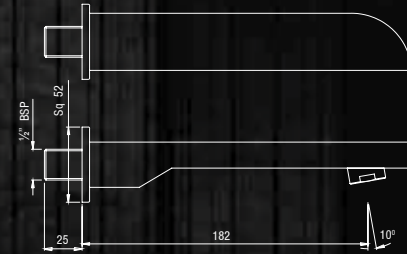
588



583



584



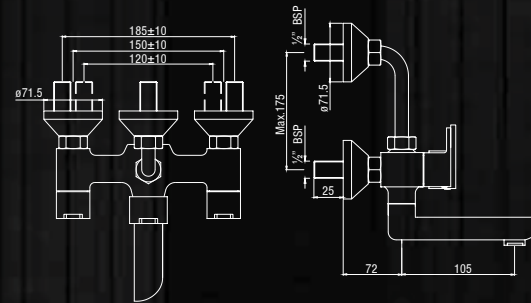
578



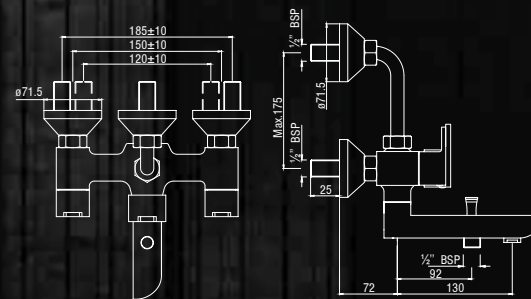
573
Wall Mixer Telephonic with Bend



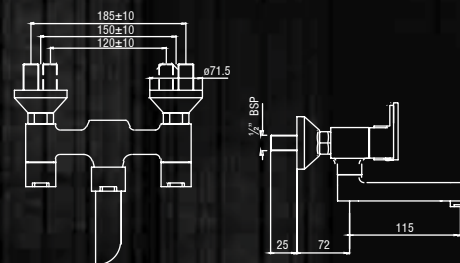
574
Wall Mixer Three in One



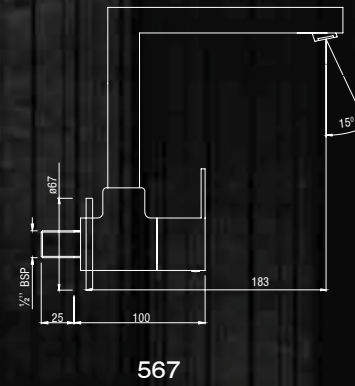
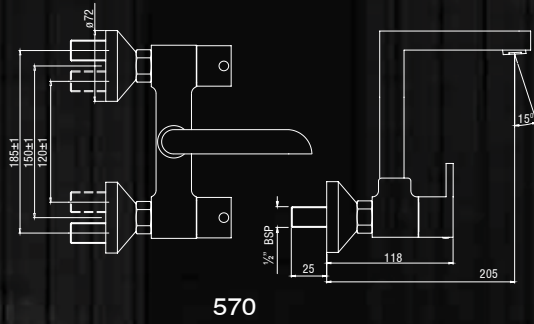
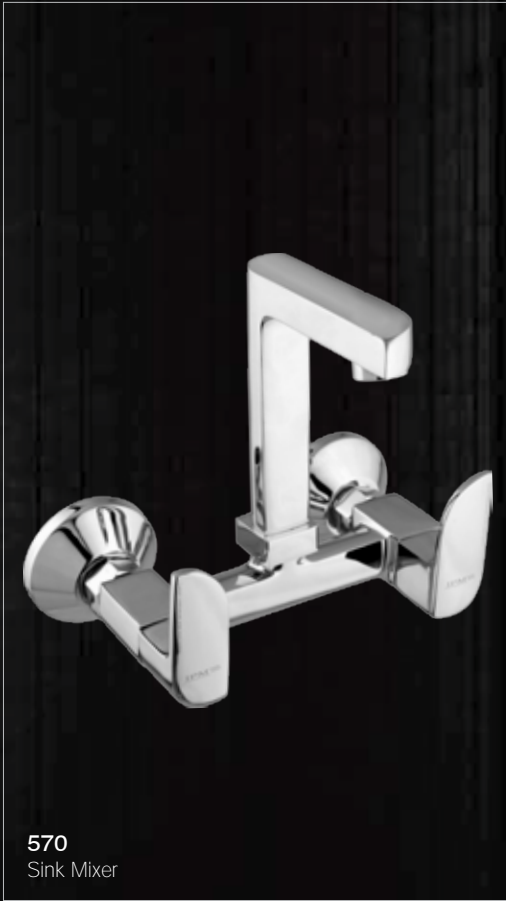
573

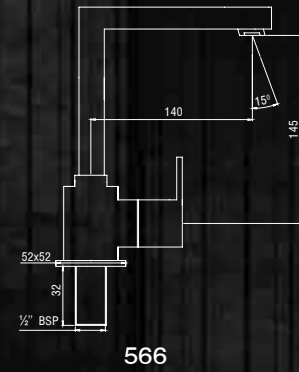
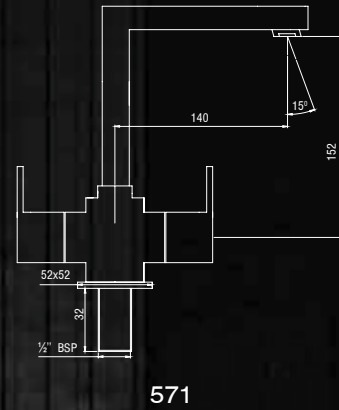


574



575



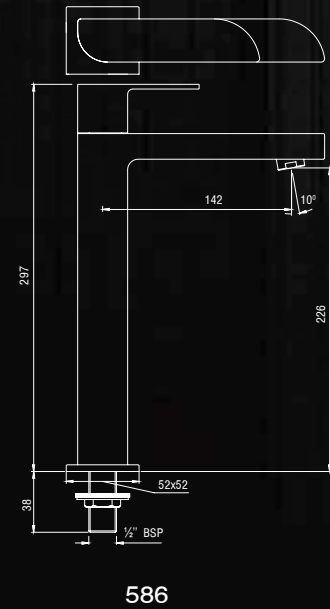
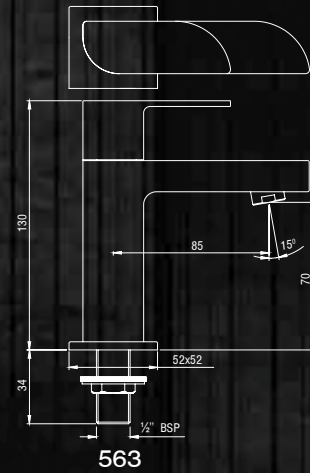


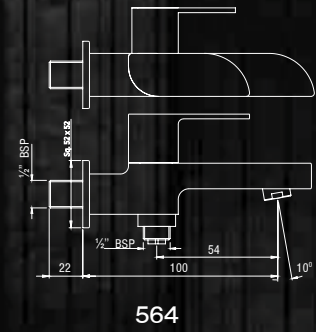
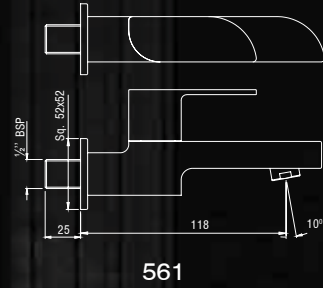


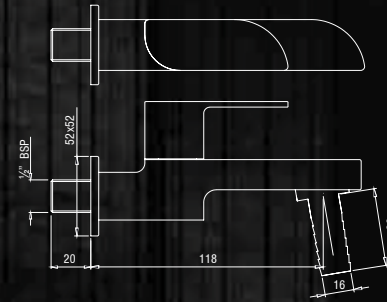
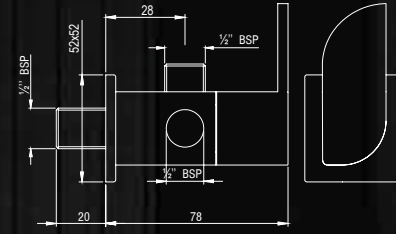
563
Pillar Cock

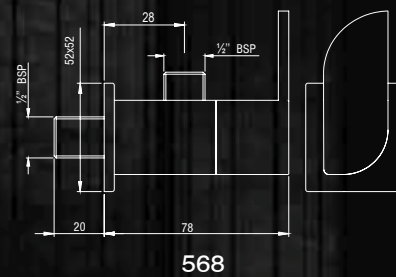


586
Pillar Cock Extended Body



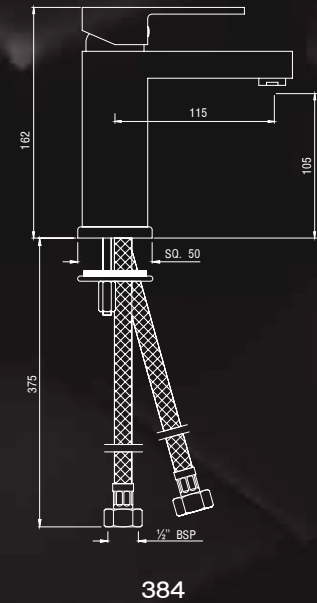
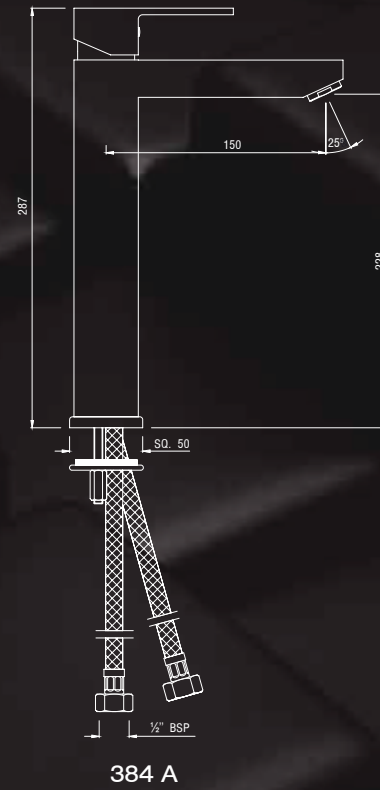


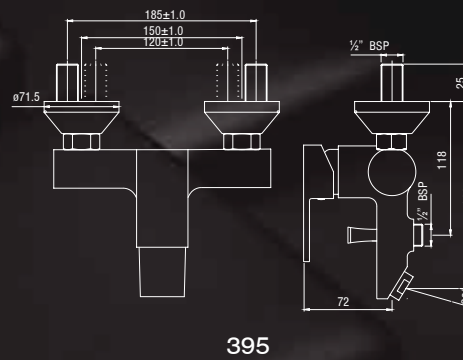
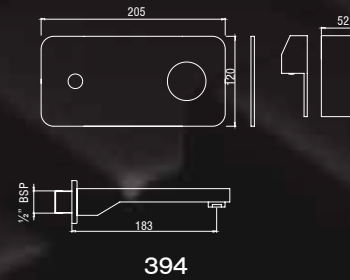


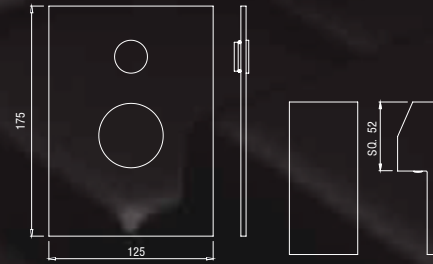


CUBE-F
COLLECTION









385



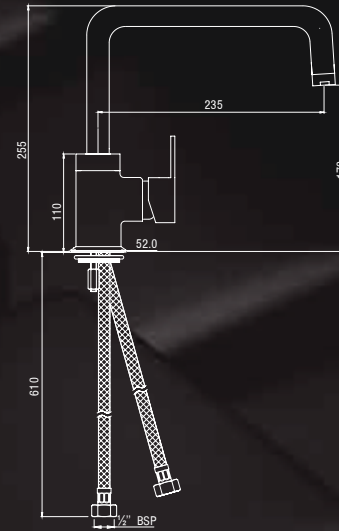
386



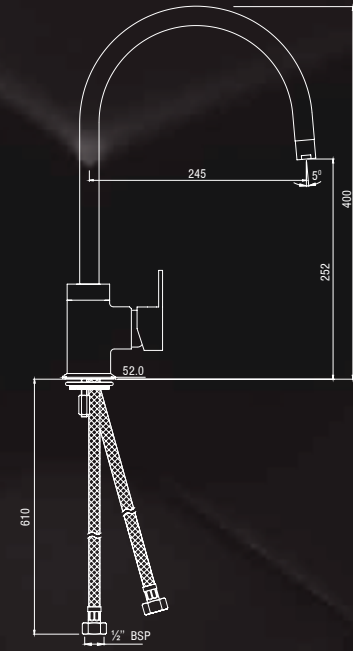
378
Single Lever Sink Mixer Side Handle
(Table Mounted Angular Spout)



391
Single Lever Sink Mixer Side Handle
(Table Mounted Round Spout)



378



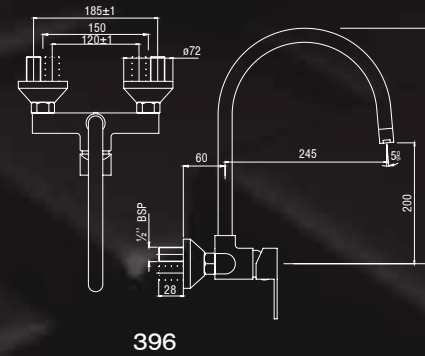
391



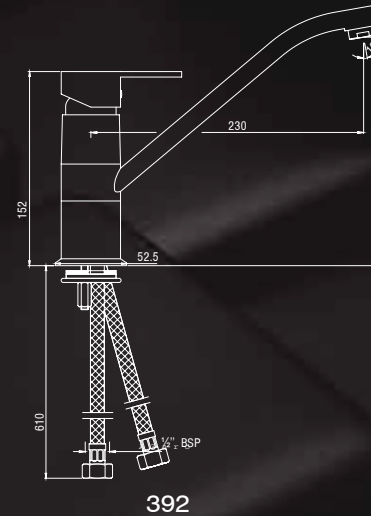
396
Single Lever Sink Mixer
(Wall Mounted)



392
Single Lever Sink Mixer Tall
(Table Mounted)



396



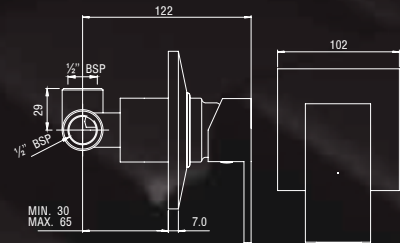
392



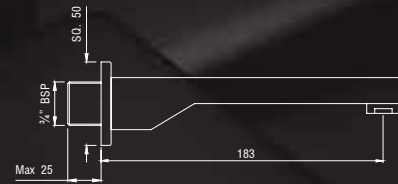
393
Single Lever Concealed Deck/Shower Mixer



387
Bath Tub Spout



393



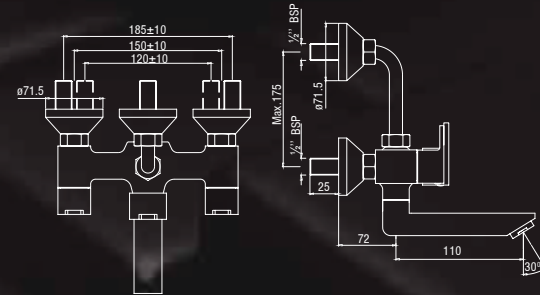
387



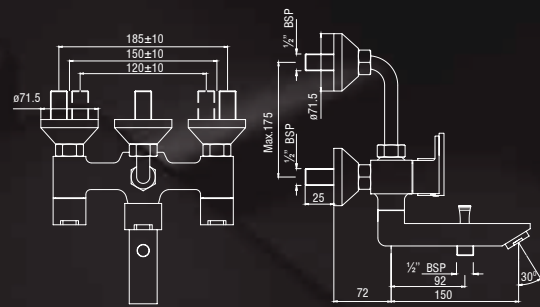
376
Wall Mixer Telephonic with Bend



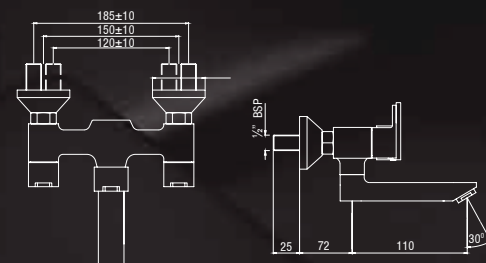
377
Wall Mixer Three in One



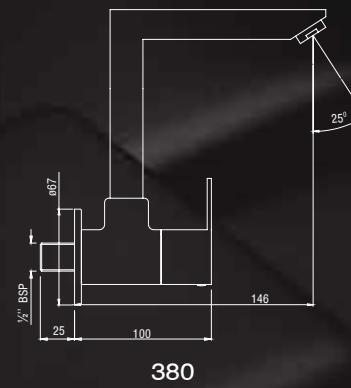
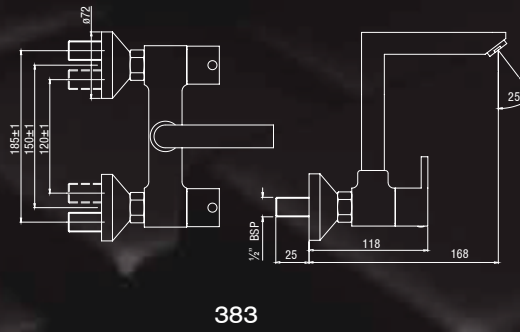
376

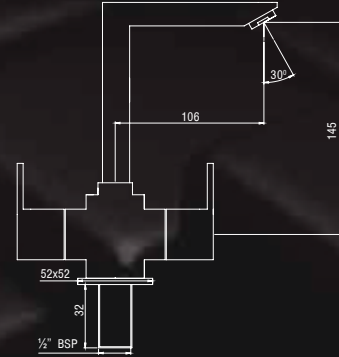


377

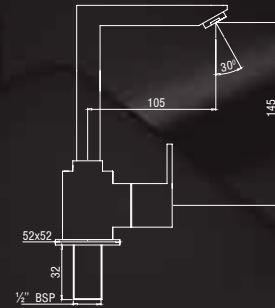


373

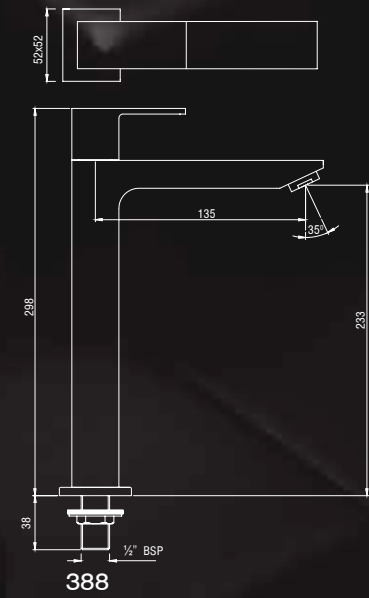
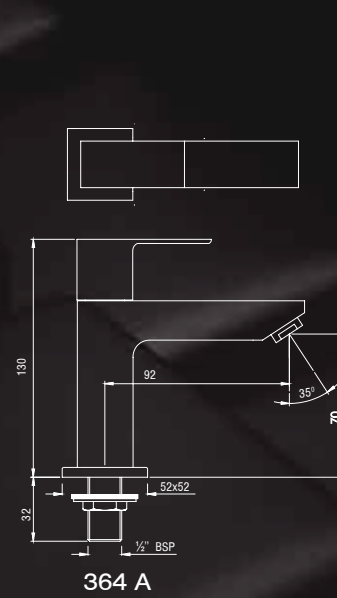


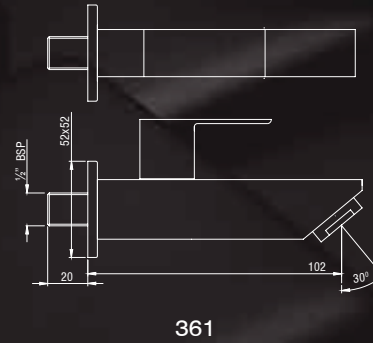
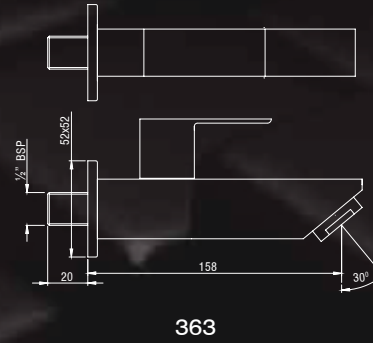


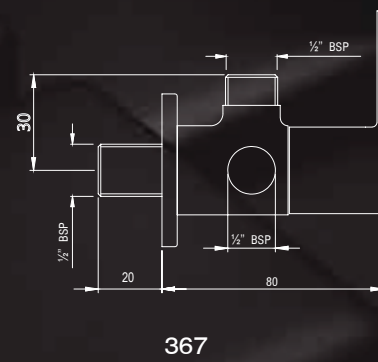
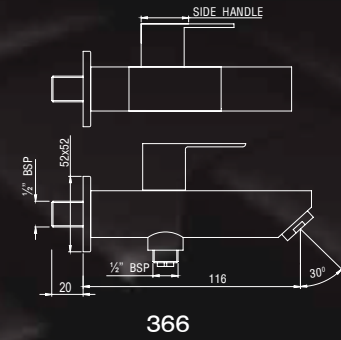
382



379





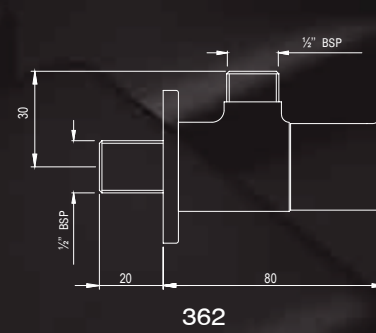
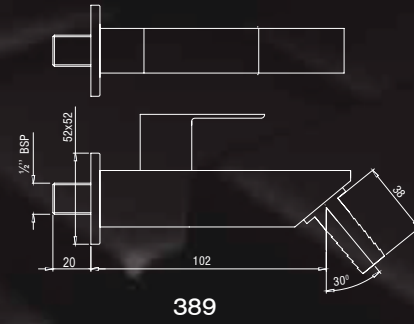




389
Nozzle Bib Cock



362
Angle Valve





370/371
Concealed Stop Cock 15mm/20mm



390
Flush Cock



FUZONE
COLLECTION

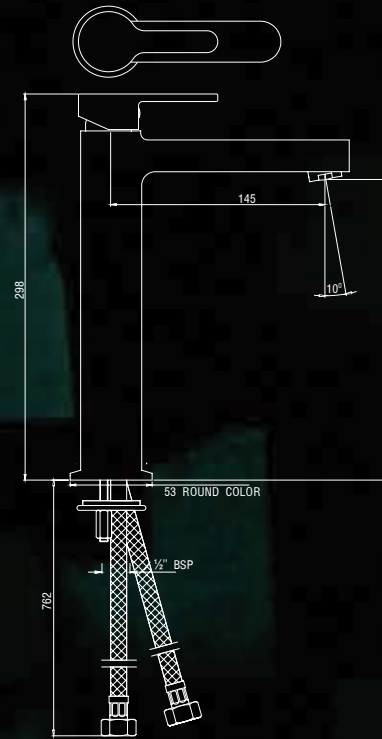




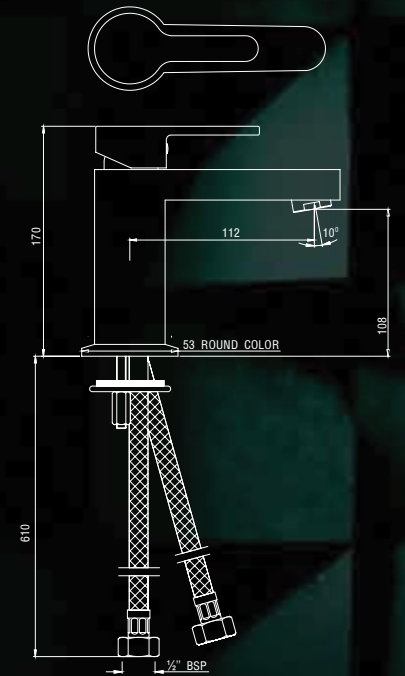
224
Single Lever Basin Mixer Extended Body



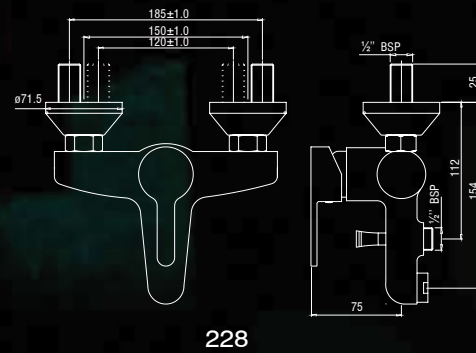
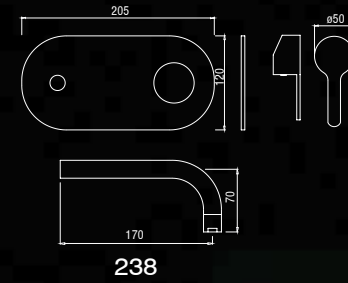
223
Single Lever Basin Mixer

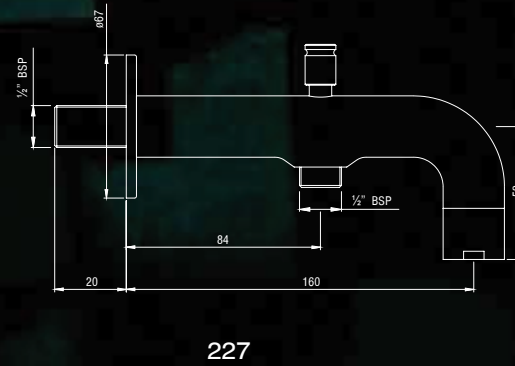
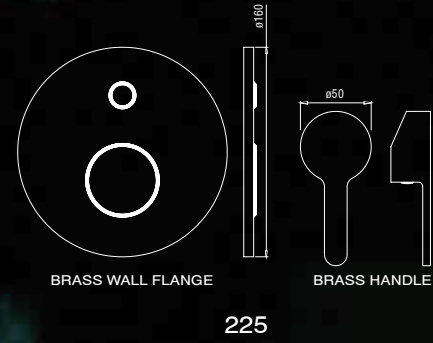
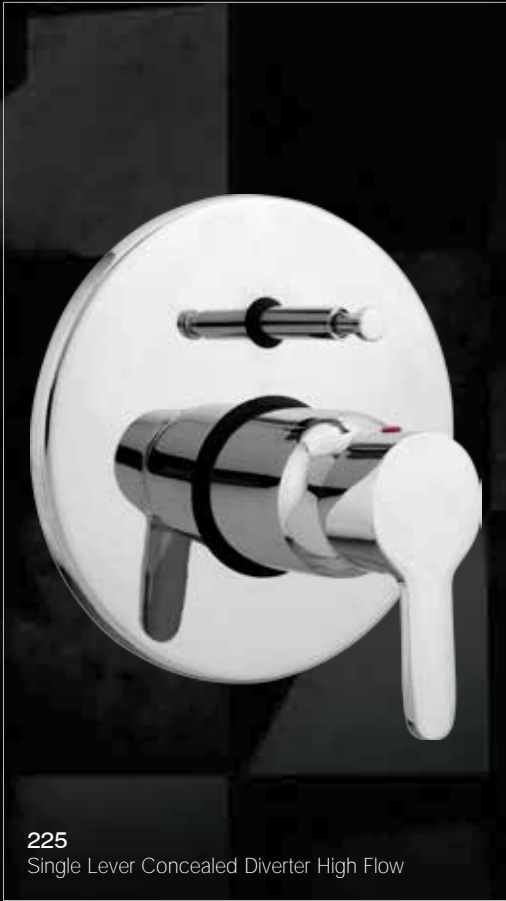


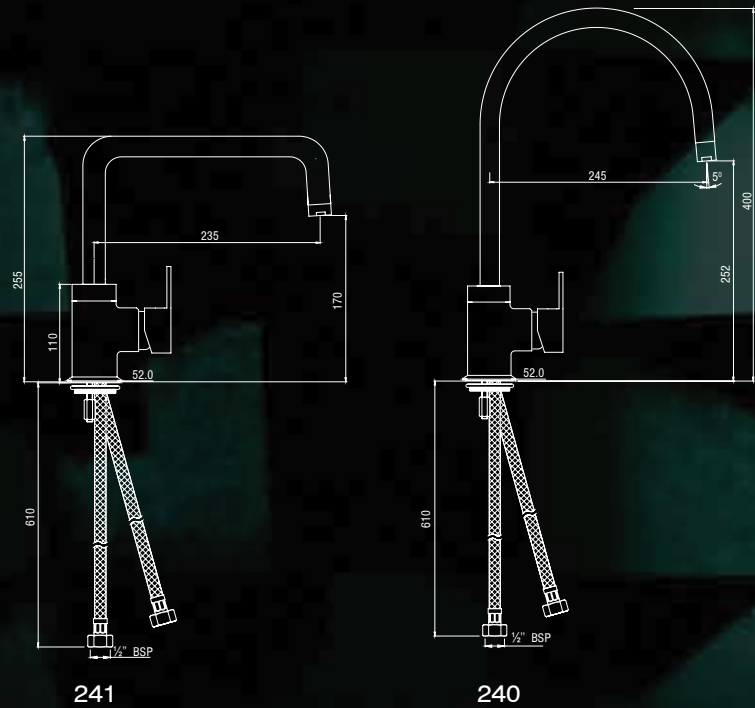
224



223





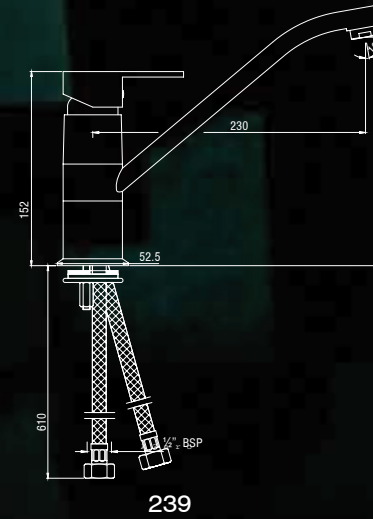
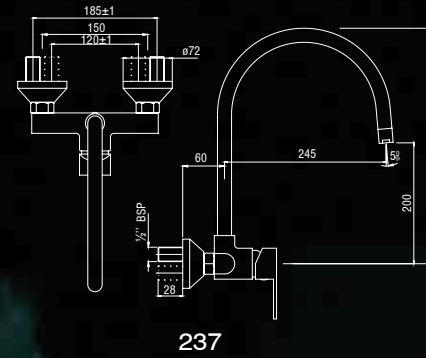


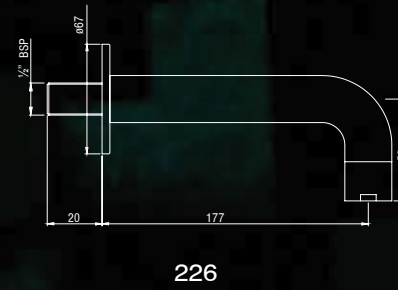
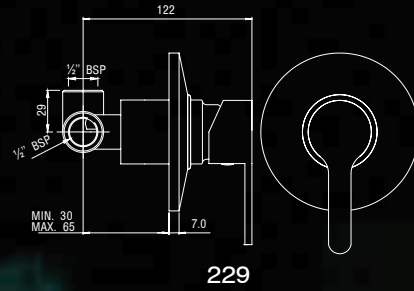


237
Single Lever Sink Mixer
(Wall Mounted)



239
Single Lever Sink Mixer Tall
(Table Mounted)



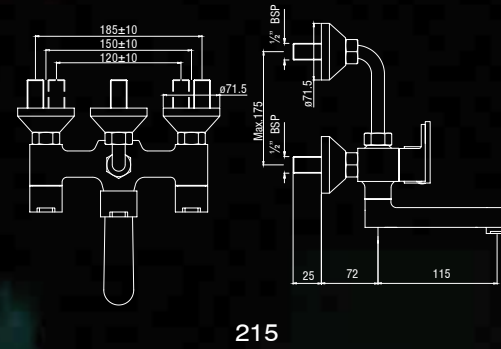




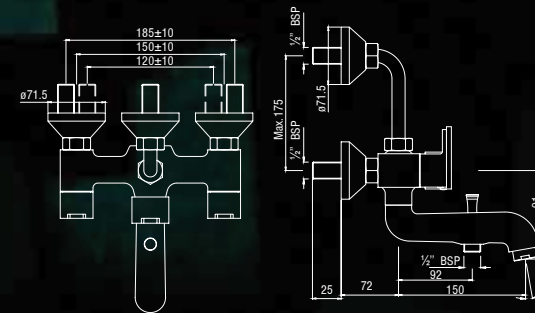
215
Wall Mixer Telephonic with Bend



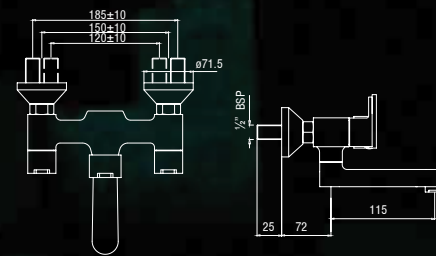
217
Wall Mixer Three in One



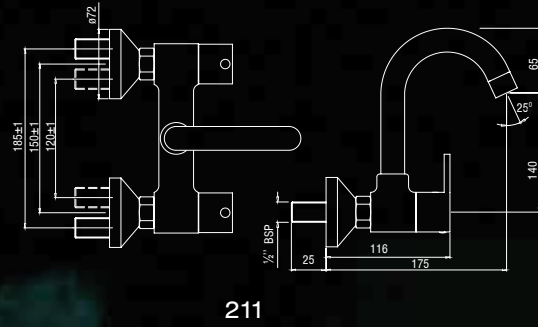
215



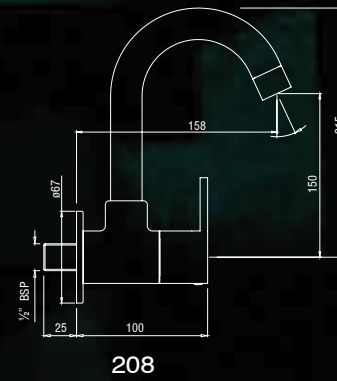
217



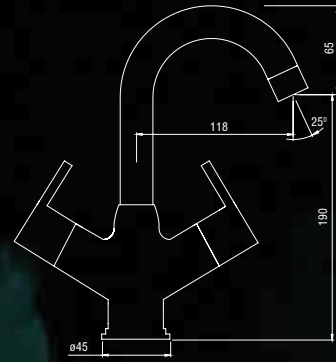
212



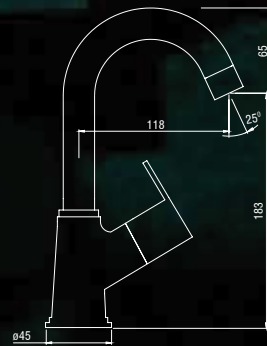
211



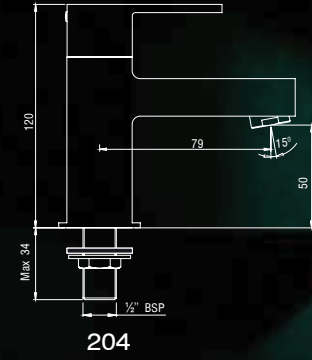
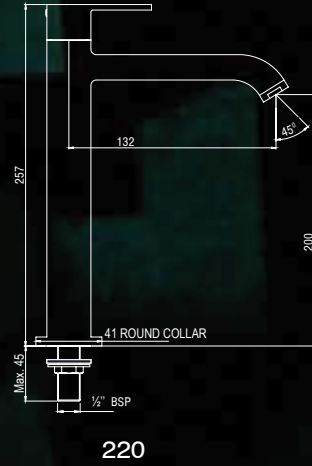
208



213

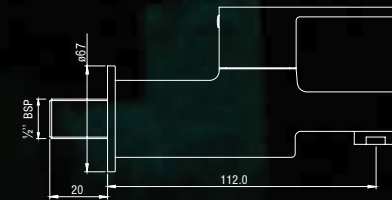


207

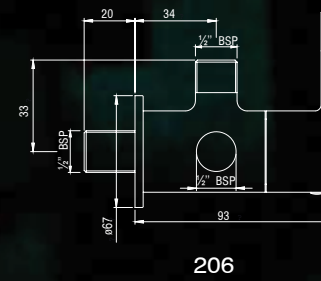
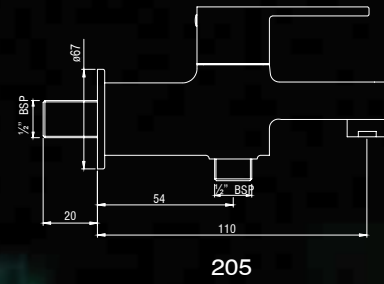


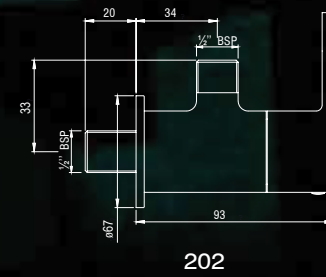
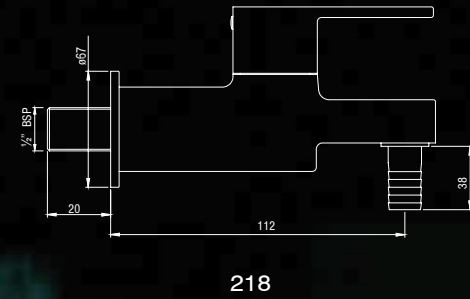


203



201







209/210
Concealed Stop Cock 15mm/20mm

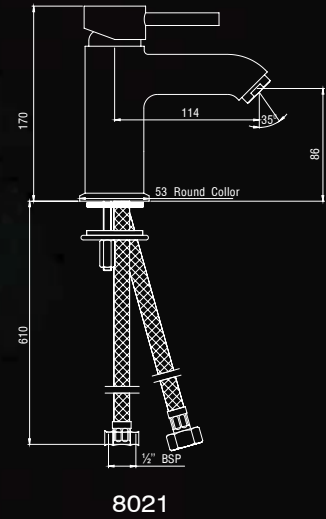
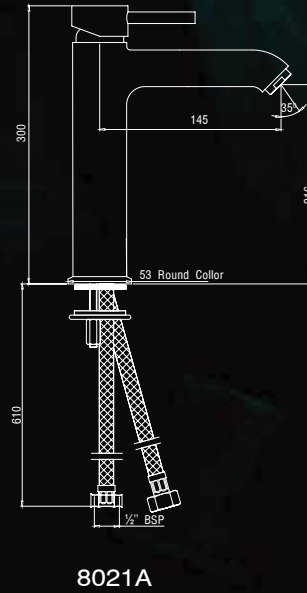


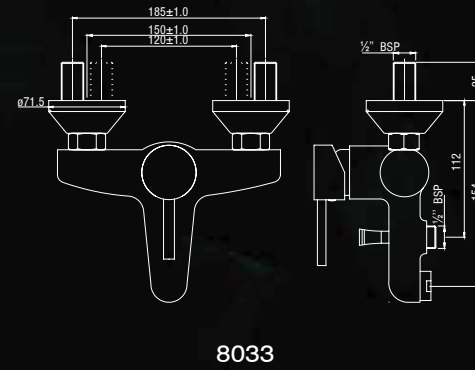
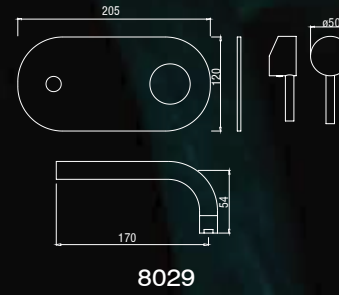
219
Flush Cock

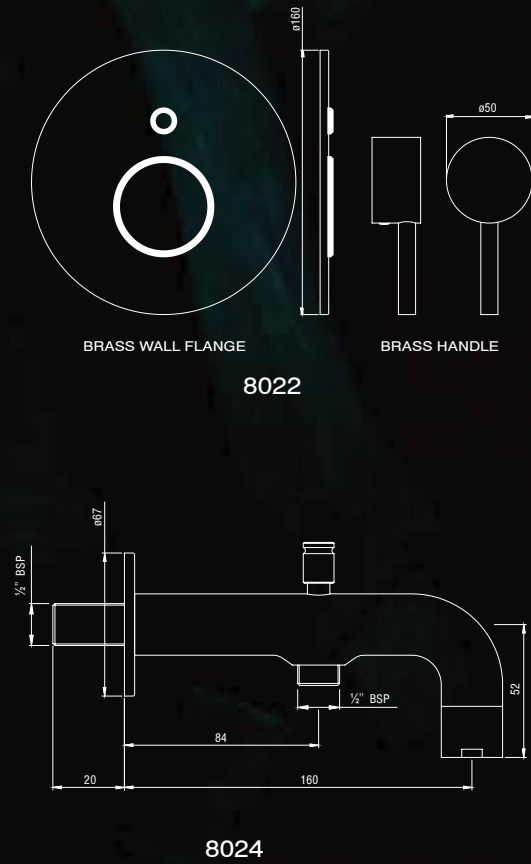


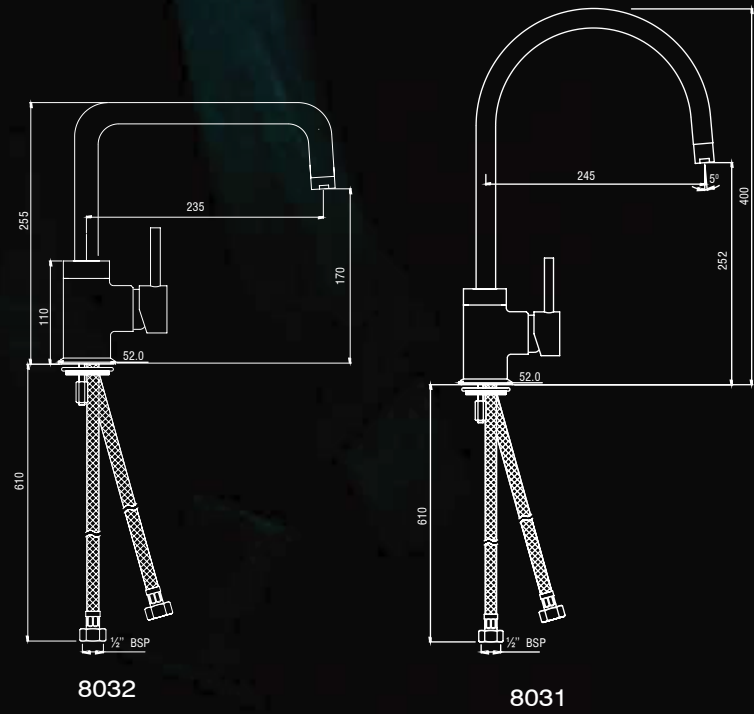
FLORA
COLLECTION

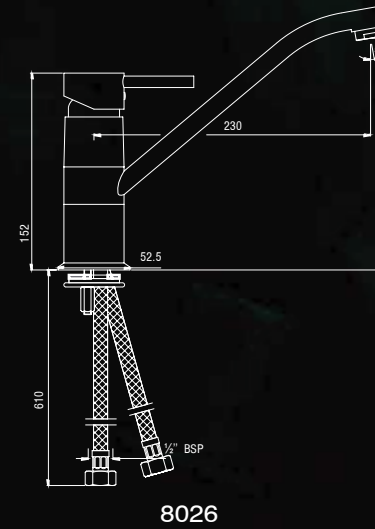
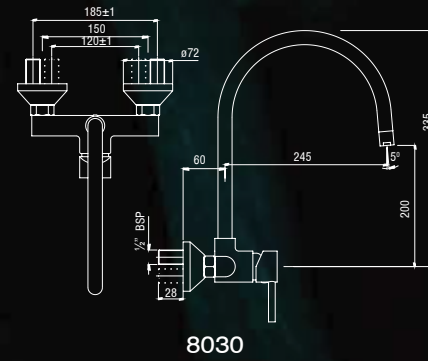


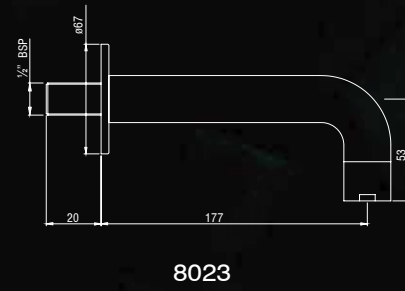
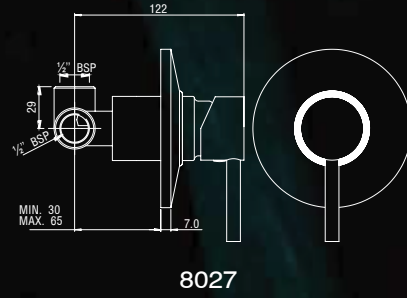


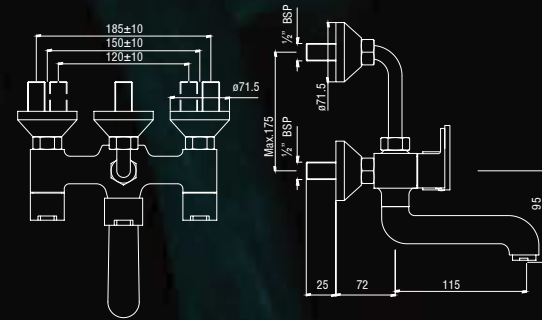




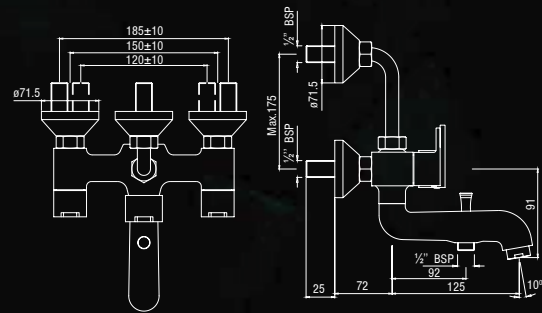








8016



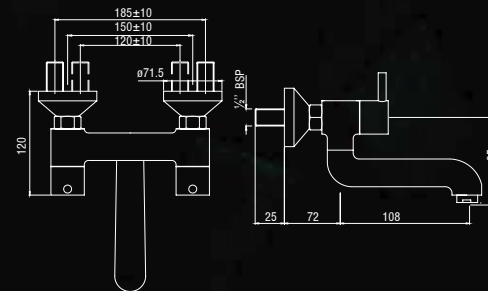
8018



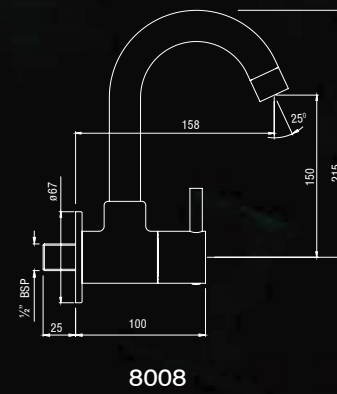
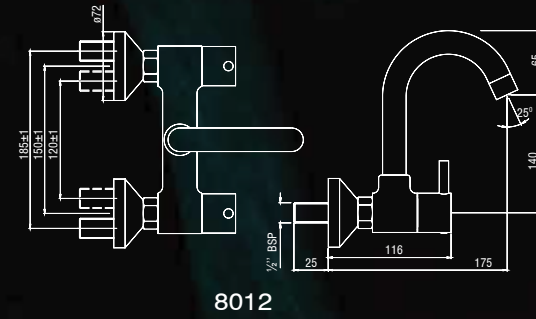
8015
Wall Mixer Telephonic with Crutch

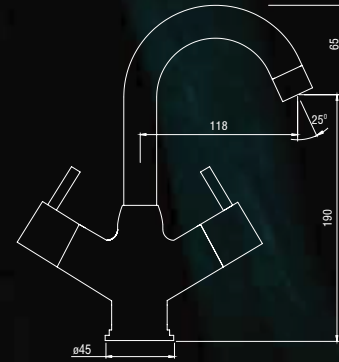


8013
Wall Mixer Non Telephonic

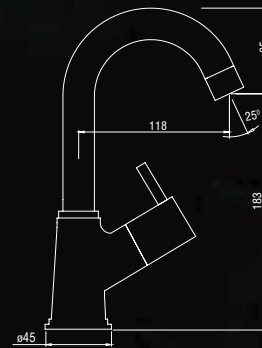


8013

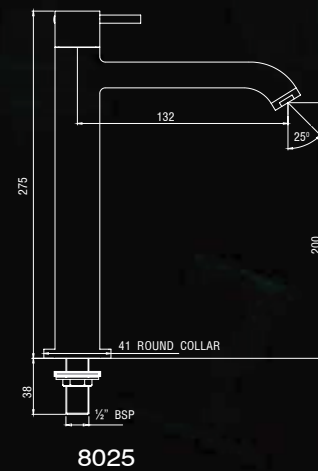
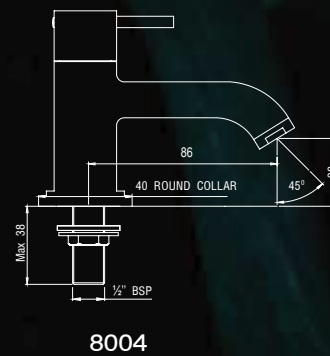


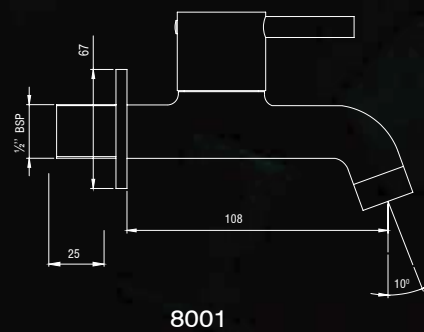
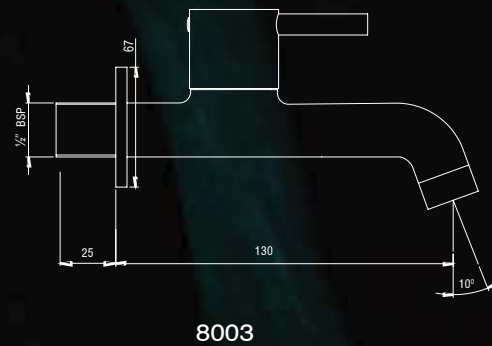


8014



8007



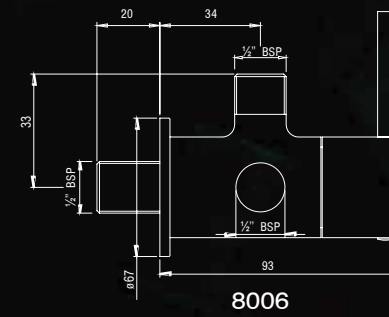
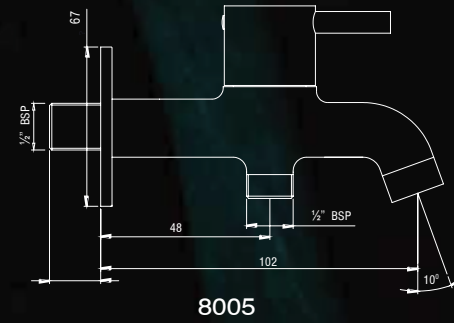




8005
2 Way Bib Cock



8006
2 Way Angle Valve

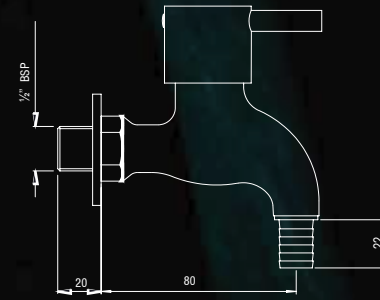




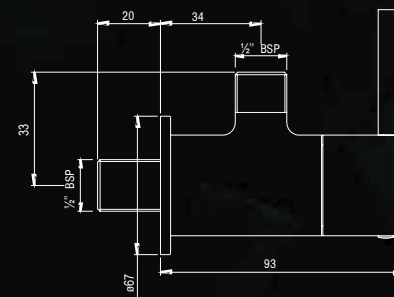
8019
Nozzle Bib Cock



8002
Angle Valve



8019



8002



8010/8011
Concealed Stop Cock 15mm/20mm



8020
Flush Cock



REGENCY
COLLECTION







614
Wall Mixer Non Telephonic



613
Sink Mixer



608
Sink Cock





604
Pillar Cock



603
Long Body Bib Cock



601
Bib Cock



605
2 Way Bib Cock



606
2 Way Angle Valve



621
Nozzle Bib Cock



602
Angle Valve

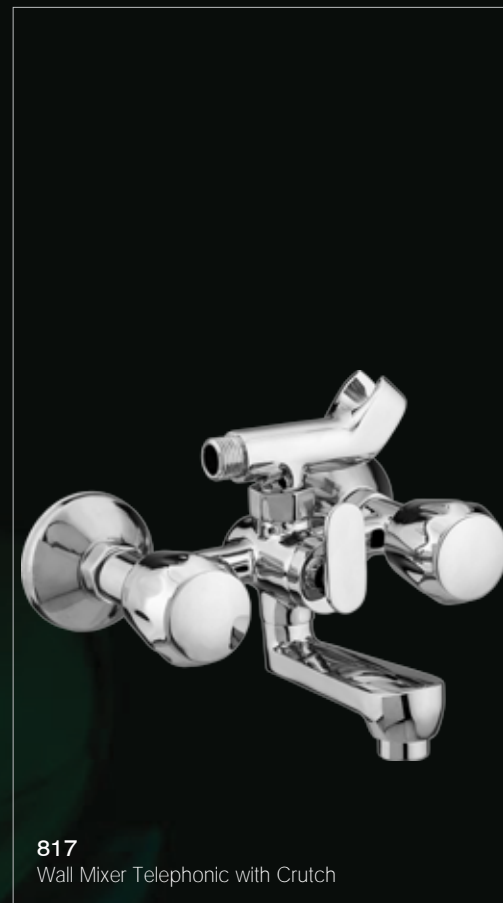


611
Concealed Stop Cock 15mm



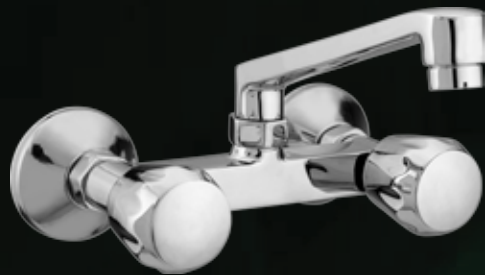
PREMIUM
COLLECTION







816
Wall Mixer Non Telephonic



815
Sink Mixer



813
Sink Cock



814
Central Hole Basin Mixer



812
Swan Neck Tap



801
Pillar Cock



803
Long Body Bib Cock



802
Bib Cock



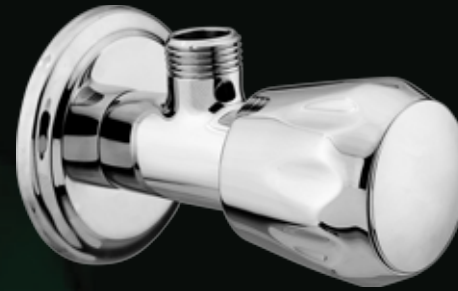
805
2 Way Bib Cock



808
2 Way Angle Valve



806
Nozzle Bib Cock



807
Angle Valve



809
Concealed Stop Cock 15mm



810
Concealed Stop Cock 15mm Heavy



811
Concealed Stop Cock 20mm

JP
COLLECTION









194
Wall Mixer Non Telephonic



192
Sink Mixer



191
Sink Cock



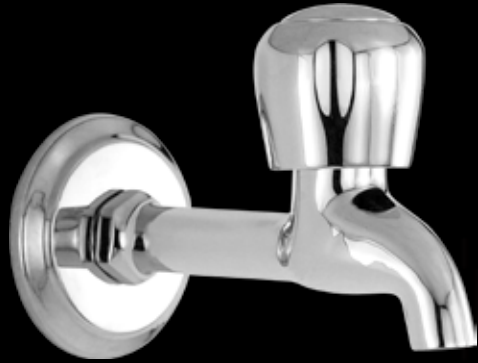
193
Central Hole Basin Mixer



190
Swan Neck Tap



189
Pillar Cock



182
Long Body Bib Cock



181
Bib Cock



185
2 Way Bib Cock



186
2 Way Angle Valve



184
Nozzle Bib Cock



183
Angle Valve



187/188
Concealed Stop Cock 15mm/20mm



SINGLE LEVER
SINK MIXERS
COLLECTION









1827
Single Lever Sink Mixer Side Handle
(Table Mounted Round Spout)



582
Single Lever Sink Mixer Side Handle
(Table Mounted Round Spout)



391
Single Lever Sink Mixer Side Handle
(Table Mounted Round Spout)



240
Single Lever Sink Mixer Side Handle
(Table Mounted Round Spout)



8031
Single Lever Sink Mixer Side Handle
(Table Mounted Round Spout)



1830
Single Lever Sink Mixer Side Handle
(Table Mounted Angular Spout)



589
Single Lever Sink Mixer Side Handle
(Table Mounted Angular Spout)



378
Single Lever Sink Mixer Side Handle
(Table Mounted Angular Spout)





1825
Single Lever Sink Mixer Tall
(Table Mounted)



583
Single Lever Sink Mixer Tall
(Table Mounted)



392
Single Lever Sink Mixer Tall
(Table Mounted)



239
Single Lever Sink Mixer Tall
(Table Mounted)



8026
Single Lever Sink Mixer Tall
(Table Mounted)

ALLIED

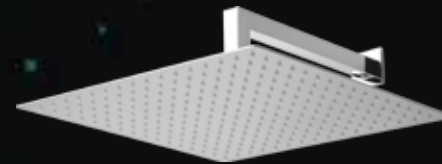




AD-3001
200 X 200mm SS Shower Head Square



AD-3002
250 X 250mm SS Shower Head Square



AD-3003
300 x 300mm SS Shower Head Square



AD-3004
200 X 200mm SS Shower Head Round



AD-3005
250 x 250mm SS Shower Head Round



AD-3006
300 x 300mm SS Shower head Round



AD-3007
450mm Long SS 304 Braided Hoses
with Two 15mm Brass Nut suitable for Extension



AD-3008
300mm Long Braided Hose with M10X1 Nipple,
15mm Brass Nut Suitable for Single Lever Mixers



AD-3009
450mm Long Braided Hose with M10X1 Nipple,
15mm Brass Nut Suitable for Single Lever Mixers





AD-3013
Exposed Shower Pipe Square Shape with Hand Shower and Brass Tube and Square Bath Mixer Without Shower head



AD-3014
Exposed Shower Pipe Round Shape with Hand Shower and Brass Tube and Round Bath Mixer Without Shower Head



AD-3015
Sliding Rail Round Shape with Hand Shower holder and Soap Dish Along with ABS Hand Shower and Brass Tube



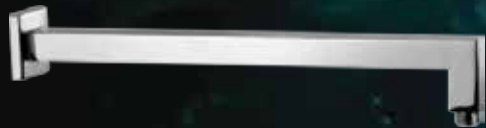
AD-3016
Sliding Rail Round Shape with Hand Shower holder
and Soap Dish Only.



AD-3017
Brass Health Faucet (HandSpray) Square Shape
with 1.5 Meter Brass Tube



AD-3018
Brass Health Faucet (HandSpray) Round Shape
with 1.5 Meter Brass Tube



AD-3019
Shower Arm Square 400mm Brass



AD-3020
Shower Arm Square 600mm Brass



AD-3021
Shower Arm Round 450mm Brass





AD-3025
Waste Coupling Full Thread



AD-3026
Waste Coupling Half Thread



AD-3027
Waste Coupling Pop Up



AD-3028
Single Lever Concealed High Flow Diverter Body



AD-3029
Diverter Body Three-In-Let



AD-3030
Single Lever Concealed Basin Mixer High Flow Body



AD-3031
Single Lever Concealed Deusch Mixer Body



AD-3032
Concealed 15mm



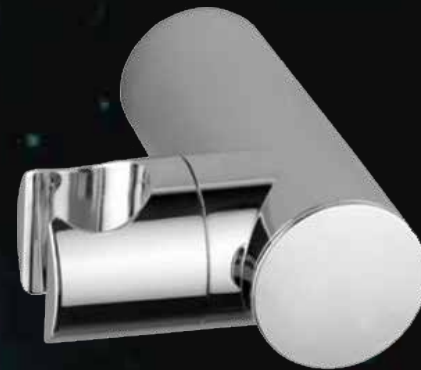
AD-3033
Concealed 20mm



AD-3034
Wall outlet Square with 15mm Thread to connect
hand shower Pipe



AD-3035
Wall outlet Round with 15mm Thread to connect
hand shower Pipe



AD-3036
Wall Bracket for Hand Shower Round shape



BATH ACCESSORIES SQUARE

COLLECTION







1005
Double Hook



1008
Paper Holder without Flap



1007
Paper Holder with Flap



Manufactured By:-

SHIV ENTERPRISES

459, Patparganj Industrial Area, Delhi-110 092, India

Ph.: 011-4304 8462

Customer Care: 1800 121 7072

Website: www.lpmbathfittings.com

Email: shiventerprises.ak@gmail.com